



An Affiliate of the
NATIONAL REINED COW HORSE ASSOCIATION

MIKE CARONE CLASSIC

May 24-26, 2024

Diamond 7 Ranch & Arena
Dillsburg, PA

**TWO (2) NRCHA SANCTIONED
COW HORSE SHOWS**
\$3,150 in ADDED MONEY

Judge: Chris Benedict

Show Rep: Becky Lipka

Entry forms will be posted online at www.atlanticrcha.org. Once the form is filled out and before you submit, PRINT the completed form for your record. Then hit SUBMIT. You will not receive an email confirmation of this entry. If you have any questions or changes, please contact the **SHOW SECRETARY**, Cindy Pfeifer (contact info below).

ARCHA Shows follow NRCHA Rules and Guidelines. ARCHA Club Class descriptions, rules and guidelines are available on the ARCHA website. Any questions may be directed to the Show Manager, Matt Lipka (contact info below).

NO STALL ASSIGNMENT GUARANTEES FOR ENTRIES MADE AFTER THE 5/15/2024 DEADLINE.

Entry Deadlines & Scratch Policy: Class pre-entry deadline is 5/15/2024.

- ⇒ Pre-enter by the deadline so we can order enough cattle and assign stalls.
- ⇒ Scratches prior to move-in date must be received and confirmed by the show secretary.
- ⇒ Scratches and Adds during show must be written on the clipboard in front of the show office window in order to be considered received by the show secretary once the show is underway.

Stall & RV Information:

- ⇒ Stalls: \$125 for 3 day show (includes 2 bags shavings)
- ⇒ Extra Shavings \$10/bag
- ⇒ Tack Stalls: \$55/weekend
- ⇒ Tie Outs: \$15 per day/horse
- ⇒ RV's (electric & water): \$125 for 3 day show* (first come first serve)
 - * Must check in with show office for RV parking tag.
 - * Any trailer parked in RV lots by hook-up will be charged a hook-up fee, so be sure to park away from hook-up areas to avoid the charges.

Membership Information:

- ⇒ ARCHA MEMBERSHIP IS REQUIRED FOR ALL EXHIBITORS
- ⇒ First Year is FREE for new members and Youth members are always FREE.
- ⇒ go to www.atlanticrcha.org to join online today!
- ⇒ NRCHA Membership is required for all NRCHA classes. Go to www.nrcha.com to join

WHY JOINING ONLINE IS SO IMPORTANT!

The online membership site offers you an opportunity to customize your member profile and print or screen shot your membership card..

ARCHA news, showbills and updates go out through this database to members with updated email addresses.

Why leave that up to someone trying to figure out what you printed on a application?

The BEST feature is that you can download the **Wild Apricot Membership App** from the app store.

Show Manager: Matt Lipka
570-762-7390 archapresident.2022@gmail.com

Show Secretary: Cindy Pfeifer,
cell: 585-749-1764, cindypfeifer@gmail.com

MAY 2024 ARCHA SHOW SCHEDULE

FRIDAY 7 AM START		SATURDAY 8 AM START		SUNDAY 8 AM START	
7 am Herd Practice (18 entries max)	2 cows each	NRCHA Open/Ltd Open Bridle	Rein/Fence	ARCHA Ranch Riding - AQHA pattern: 10	Pattern
9 am (approx)		NRCHA Non Pro/Int. NP/L1 NP Bridle	Rein/Fence	NRCHA Open/Ltd Open Bridle	Rein/Fence
Ranch Riding	Ranch Pattern	NRCHA Non Pro/Int. NP Boxing	Rein/Box	NRCHA Non Pro/Int. NP/L1 NP Bridle	Rein/Fence
Ranch Reining (ARHA pattern)	Rein	NRCHA Open/Ltd Open Hackamore	Rein/Fence	NRCHA Non Pro/Int. NP Boxing	Rein/Box
Reining (NRHA pattern)	Rein	NRCHA Non Pro Hackamore	Rein/Fence	NRCHA Open/Ltd Open Hackamore	Rein/Fence
ARCHA Reining (NRCHA pattern)	Rein	NRCHA Ltd. Non Pro Boxing	Rein/Box	NRCHA Non Pro Hackamore	Rein/Fence
ARCHA Fence	Fence	NRCHA Open Two Rein	Rein/Fence	NRCHA Ltd. Non Pro Boxing	Rein/Box
ARCHA Boxing	Box	NRCHA Non Pro Two Rein	Rein/Fence	NRCHA Open Two Rein	Rein/Fence
ARCHA Stock Horse Fence (Circle or Rope)	rein/fence	NRCHA Youth Cow Horse/ 13 & U	Rein/Fence	NRCHA Non Pro Two Rein	Rein/Fence
ARCHA Stock Horse Box	rein/box	NRCHA Youth Boxing/13 & U	Rein/Boxing	NRCHA Youth Cow Horse/ 13 & U	Rein/Fence
ARCHA Stock Horse Box	rein/box	NRCHA Box Drive	Rein/Cow	NRCHA Youth Boxing/13 & U	Rein/Boxing
HERD CLASSES : 2 pm (approx)		LUNCH BREAK - Green Schooling in Arena		LUNCH BREAK - Green Schooling in Arena	
ARCHA Non Pro Herd Work	herd	LEADLINE DURING LUNCH BREAK	IN WARM UP AREA	LEADLINE DURING LUNCH BREAK	IN WARM UP AREA
ARCHA Green Rider Herd Work	herd	Youth Short Stirrup - W/T	Pattern & "cow"	Youth Short Stirrup - W/T	Pattern & "cow"
ARCHA Open Herd Work	herd	ARCHA Green Youth under 12	Rein/Box	ARCHA Green Youth under 12	Rein/Box
Not Before 7 pm		ARCHA Green Youth 13-18	Rein/Box	ARCHA Green Youth 13-18	Rein/Box
Paid Warm-ups	cow only	ARCHA Beginner Fence Work	cow only	ARCHA Beginner Fence Work	cow only
Ranch Riding: AQHA # 10 Ranch Reining: ARHA # 6 Reining: NRHA # 5 ARCHA Reining: NRCHA # 7 lope toward Stock Horse: NRCHA # 7 lope toward		ARCHA Green Rider 1	Rein/Box	ARCHA Green Rider 1	Rein/Box
		ARCHA Green Rider 2	Rein/Box	ARCHA Green Rider 2	Rein/Box
		ARCHA Green Horse Box	Rein/Box	ARCHA Green Horse Box	Rein/Box
		ARCHA Stock Horse Fence (Circle or Rope)	rein/fence	ARCHA Stock Horse Fence (Circle or Rope)	rein/fence
		ARCHA Stock Horse Box	rein/box	ARCHA Stock Horse Box	rein/box
		HS 1 Pattern: NRCHA 2 lope toward		HS 2 Pattern: NRCHA 11 lope away	

ARCHA MEMBERSHIP IS REQUIRED TO PARTICIPATE IN THE SHOW, AS AN OWNER OR AS A RIDER!

IT IS YOUR REPOSIBILITY TO JOIN OR RENEW ONLINE BEFORE THE SHOW.

RV HOOKUPS

Must display an RV parking tag from the office.

DO NOT PARK in hookup area unless you plan to pay fee. **ALL** trailers parked in RV hookup lots will be charged the fee.



2024 SCHEDULE OF EVENTS
 Diamond 7 Ranch and Arena, Dillsburg, PA

MARCH 22-24, 2024—SWING INTO SPRING CLINIC
 APRIL 19-21, 2024—DUST OFF THE RUST
 MAY 24-26, 2024—MIKE CARONE CLASSIC
 JUNE 21-23, 2024—WRIGHTTIMETOSMOKUM DERBY/SPECTACULAR
 JUNE 23 & 24, 2024—YOUTH COW HORSE CLINIC
 AUGUST 16-18, 2024—SUMMER SHOOTOUT
 SEPTEMBER 13-15, 2024—THE GREEN SHOWDOWN
 OCTOBER 31 - NOVEMBER 3, 2024—CODE WEST CLASSIC

2024 ARCHA BOARD OF DIRECTORS

OFFICERS

PRESIDENT: MATT LIPKA
 VICE PRESIDENT: LIA SAVAS
 TREASURER: MARK SIGLER
 SECRETARY: JENNIFER BLACK

DIRECTORS

ELIZABETH PICCONE
 SKYLER LAWSON

DIRECTORS EMERITUS

RICHARD ROSELL

Directions to Diamond 7 Ranch, 36 Deardorff Rd, Dillsburg, PA 17019, Phone: 717-309-7143

Trucks & Trailers –Rte194/ Baltimore street, turn (right if coming from East Berlin or left if coming from Dillsburg) onto Cabin Hollow Road, right on Barrens Church/ Valley Road, right on Faust Road. Faust Road brings you to back entrance, or you can keep going to stop sign and make a left onto Deardorff Road to use main entrance

Area Hotel Info

Wingate by Wyndham, Mechanicsburg ●Country Inn & Suites by Radisson, Harrisburg West ●Courtyard by Marriott, Harrisburg West/ Mechanicsburg ●Hampton Inn by Hilton, Harrisburg West ●Comfort Inn, Mechanicsburg/Harrisburg South ●Motel 6, Mechanicsburg/Harrisburg West ●Econo-Lodge, Mechanicsburg ●Rodeway Inn, Dillsburg

<u>Horse Show Classes</u>	Added Money	Entry Fee ⁺	Cattle Fee	Add Back	Video Fee	TOTAL
NRCHA Open Bridle	\$250	\$160	\$65	\$92	\$10	\$327
*NRCHA Ltd Open Bridle	\$100	\$44	\$65	\$26	\$10	\$145
NRCHA Non Pro Bridle		\$44	\$65	\$26	\$10	\$145
*NRCHA Int. Non Pro Bridle	\$150	\$44	\$65	\$26	\$10	\$145
*NRCHA Level 1 Non Pro Bridle	\$150	\$44	\$65	\$26	\$10	\$145
NRCHA Non Pro Boxing**	\$100	\$38	\$40	\$12	\$10	\$100
*NRCHA Int Non Pro Boxing**	\$50	\$38	\$40	\$12	\$10	\$100
NRCHA Open Hackamore	\$250	\$160	\$65	\$92	\$10	\$327
*NRCHA Ltd Open Hackamore	\$100	\$44	\$65	\$26	\$10	\$145
NRCHA Non Pro Hackamore	\$100	\$44	\$65	\$26	\$10	\$145
NRCHA Ltd. Non Pro Boxing**	\$50	\$38	\$40	\$12	\$10	\$100
Select NP Boxing**	\$75	\$15				\$15
NRCHA Open Two Rein	\$75	\$44	\$65	\$26	\$10	\$145
NRCHA Non Pro Two Rein	\$75	\$44	\$65	\$26	\$10	\$145
NRCHA Youth Cowhorse		\$44	\$65	\$18	\$10	\$137
*NRCHA Youth Cowhorse 13 & U		\$10				\$10
High School Rodeo		\$10	40		\$10	\$60
NRCHA Youth Boxing		\$38	\$40	\$9	\$10	\$97
*NRCHA Youth Boxing 13 & U		\$10				\$10
NRCHA Box Drive	\$50	\$38	\$40	\$12	\$10	\$100
Herd Classes & Herd Warm-up	Added Money	Entry Fee⁺	Cattle Fee	Add Back	Video Fee	Total EF
ARCHA Open Herd Work	\$100	\$20	\$110	\$20	\$10	\$160
ARCHA Non Pro Herd Work	\$100	\$20	\$110	\$20	\$10	\$160
ARCHA Green Rider Herd Work	\$100	\$20	\$75	\$12	\$10	\$117
High School Rodeo Cutting		\$35	\$85			\$120
ARCHA Herd Work Practice		18 entries max/2 cows each				\$130
ARCHA Club Classes	Entry Fee⁺	Cattle Fee	Video Fee	Total EF		
ARCHA Beginning Fence Work	\$30	\$40	\$10	\$78		
ARCHA Ranch Riding	\$30		\$10	\$38		
ARCHA Green Rider 1	\$40	\$30	\$10	\$80		
ARCHA Green Rider 2	\$40	\$30	\$10	\$80		
ARCHA Green Youth Under 12	\$40	\$30	\$10	\$80		
ARCHA Green Youth 13-18	\$40	\$30	\$10	\$80		
ARCHA Green Horse Box	\$40	\$30	\$10	\$80		
Youth Short Stirrup (W/T)	\$0			\$0		
Youth Leadline	\$0			\$0		
Practice Classes	Entry Fee⁺	Cattle Fee	Video Fee	Total EF		
Ranch Riding	\$20			\$20		
Ranch Reining (ARHA pattern)	\$20			\$20		
Reining (NRHA pattern)	\$25			\$25		
ARCHA Reining (NRCHA pattern)	\$25			\$25		
Fence (cow only)	\$20	\$30		\$50		
Boxing (cow only)	\$20	\$20		\$40		
ARCHA Open Stock Horse Fence (circle or rope)~	\$40	\$30	\$10	\$80		
ARCHA Open Stock Horse Box~	\$40	\$30	\$10	\$80		
ARCHA Working Cow Horse Classes[^]	Entry Fee⁺	Cattle Fee	Video Fee	Total EF		
ARCHA Working Cowhorse (Open or NP) [^]	\$50	\$65	\$10	\$125		
ARCHA NP Boxing [^]	\$40	\$40	\$10	\$90		
PAID WARM-UPS						
Paid Warm Up Fence		3 minutes		\$50		
Paid Warm Up Boxing		2 minutes		\$35		

* CLASS RUNS CONCURRENT WITH MAIN CLASS, ONLY ONE CATTLE AND VIDEO FEE CHARGED IF ENTERED IN BOTH

^ ARCHA WCH CLASSES RUN CONCURRENT WITH NRCHA FENCE/BOX CLASS OF YOUR CHOICE

+ NRCHA ENTRY FEES INCLUDE \$10 NRCHA FEE & ARCH A OFFICE FEE \$12 FENCE/\$6 BOX

** SELECT BOXING RUNS CONCURRENT WITH ONLY 1 NRCHA BOXING CLASS PER DAY, BASED ON RIDER'S CHOICE

~ VIDEO FEE FOR STOCK HORSE ONLY CHARGED WHEN VIDEOGRAPHER IS HERE.

**The June 2024 ARCHA Show has been changed from
the Quaker Challenge to**

2024 ARCHA WrightTimeToSmokum Derby/Spectacular

JUNE 21-23, 2024

Diamond 7 Ranch & Arena, Dillsburg, PA

TWO NRCHA SHOWS WITH \$3150 IN ADDED MONEY

NRCHA SANCTIONED DERBY & SPECTACULARS

\$6900 ADDED FOR SPECIAL EVENTS

OPEN BRIDLE SPEC ~ LTD OPEN BRIDLE SPEC ~ OPEN 2 REIN SPEC

YOUTH COWHORSE SPEC ~ YOUTH BOXING SPEC

OPEN DERBY ~ LEVEL 1 OPEN DERBY



Special Thanks to this sponsor for supporting NRCHA sanctioned Derbies & Specs!

ANNOUNCING OUR JUNE 2024 YOUTH COWHORSE CLINIC

Sponsored by Wren & Rose Farm

Dates: June 23 & 24 2024

Location: Diamond 7 Ranch & Arena

Cost: Free to youth members (youth membership is free too)



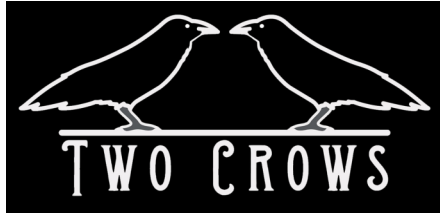
CLINICIAN: ROBERT CHOWN

- 22 time open world champion in cowhorse and reining.
- Combined earnings of over a million.
- Trained or coached over 50 world champions in non pro, amateur and youth.

For More Information, contact Matt Lipka @ 570-762-7390. Registration to be available soon online

THANK YOU TO OUR 2024 SPONSORS

PREMIERE CORPORATE SPONSORS



CODE WEST CUSTOM TACK DESIGN
BEAUTIFUL CUSTOM TACK DONATED
AS AWARDS AT EVERY SHOW!

Check out their selections at WWW.CODEWEST.NET

THANK YOU TO OUR 2024 SPONSORS

YEAR END DIVISION SPONSORS



Farm Family
Members of the American National Group

JENNY LUNDBERG
AGENT
585.802.5222



**Ltd. NP Boxing 2024
High Point Winner
By ARCHA**



Proven to reduce inflammation,
relieve pain and give
immediate drug-free results.

Ask me how!

MAGNAWAVE CERTIFIED PRACTITIONER
Dana Grafft, MBA, MS 301.785.0952

Contact Lia

to get your logo here!

LiaARCHA@gmail.com

**SIGLER PERFORMANCE
HORSES**

2024 ARCHA WrightTimeToSmokum Derby/Spectacular

JUNE 21-23, 2024

Diamond 7 Ranch & Arena, Dillsburg, PA

TWO NRCHA SHOWS WITH \$3150 IN ADDED MONEY

NRCHA SANCTIONED DERBY & SPECTACULARS

\$6900 ADDED FOR SPECIAL EVENTS

OPEN BRIDLE SPEC ~ LTD OPEN BRIDLE SPEC ~ OPEN 2 REIN SPEC

YOUTH COWHORSE SPEC ~ YOUTH BOXING SPEC

OPEN DERBY ~ LEVEL 1 OPEN DERBY

SPONSORED BY WRIGHTTIMETOSMOKUM



THANK YOU TO OUR 2024 SPONSORS

MORE SPECIAL EVENTS SPONSORS



The Golden Gals

Puppies and Companions

2024 SPECIAL EVENTS SPONSORS



Rocky Meadow Wild Rags



INDIVIDUAL SPONSORS

ALEXANDRA SIGLER ~ ELIZABETH PICCONE

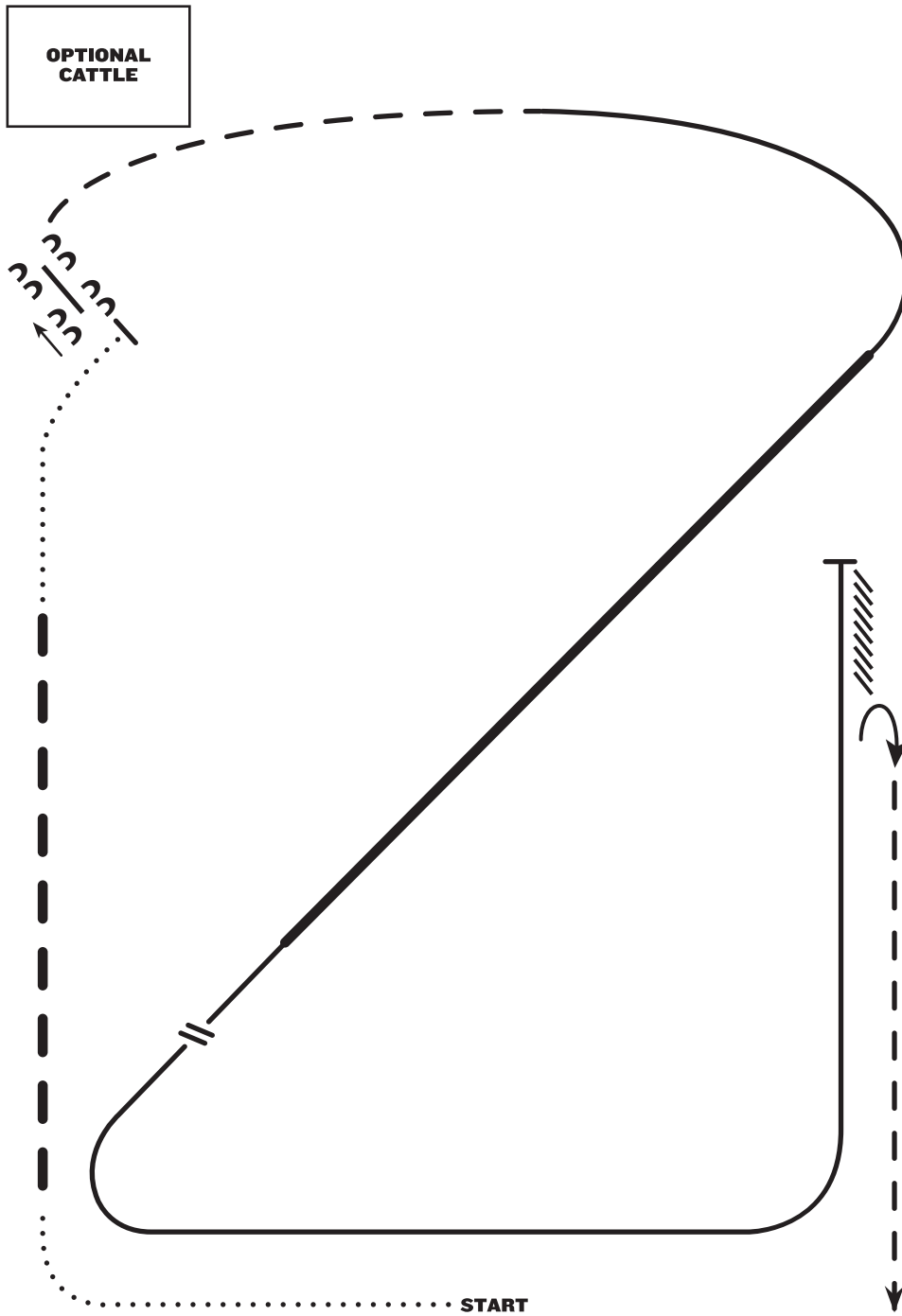
DICK ROSELL ~ JOHN CIURCZAK

Contact Lia to get your logo here! LiaARCHA@gmail.com

RANCH RIDING - PATTERN 10

LEGEND

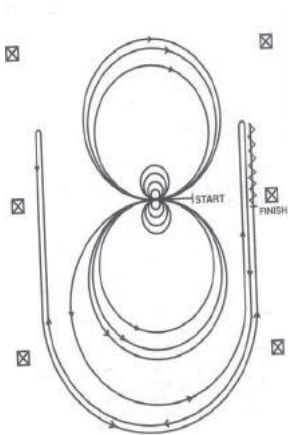
.....	Walk
.....	Extended Walk
- - -	Trot
- - -	Extended Trot
— — —	Lope
— — —	Extended Lope
//////	Back
//	Lead Change



1. Walk
2. Extended trot
3. Walk
4. Stop, side pass left over log
5. Trot
6. Lope right lead
7. Extended lope right lead
8. Collect lope and change leads (simple or flying)
9. Lope left lead
10. Stop and back
11. 1/2 turn right
12. Trot

Note: The drawn description of this pattern is only intended for the general depiction of the pattern. Exhibitors should utilize the arena space to best exhibit their horses.

HORSES MUST TROT TO THE CENTER OF ARENA. HORSES MUST STOP PRIOR TO STARTING PATTERN. BEGINNING AT THE CENTER OF THE ARENA FACING THE LEFT WALL OR FENCE.

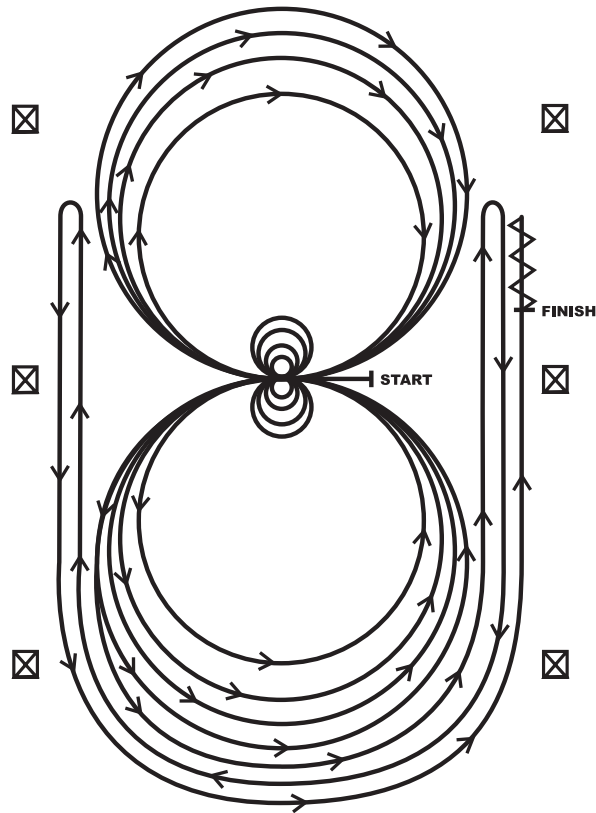


1. Complete 4 spins to the right. Hesitate.
2. Complete 4 spins to the left. Hesitate.
3. Beginning on the left lead, complete 3 circles to the left; the first two circles large and fast, the third circle small and slow. Change leads at the center of the arena.
4. Complete three circles to the right; the first two circles large and fast, the third circle small and slow. Change leads at the center of the arena.
5. Begin a large fast circle to the left but do not close this circle. Run up the right side of the arena past the center marker and do a right rollback at least twenty feet from the wall or fence—no hesitation.
6. Continue back around previous circle but do not close this circle. Run up the left side of the arena past the center marker and do a left rollback at least twenty feet from the wall or fence.
7. Continue back around previous circle but do not close this circle. Run up the right side of the arena past the center marker and do a sliding stop at least twenty feet from the wall or fence. Back up at least 10 feet. Hesitate to demonstrate the completion of the pattern.

EXHIBITORS THAT DO NOT TROT IN
WILL BE DISQUALIFIED.

Rider may drop bridle to designated judge.

Pattern 5

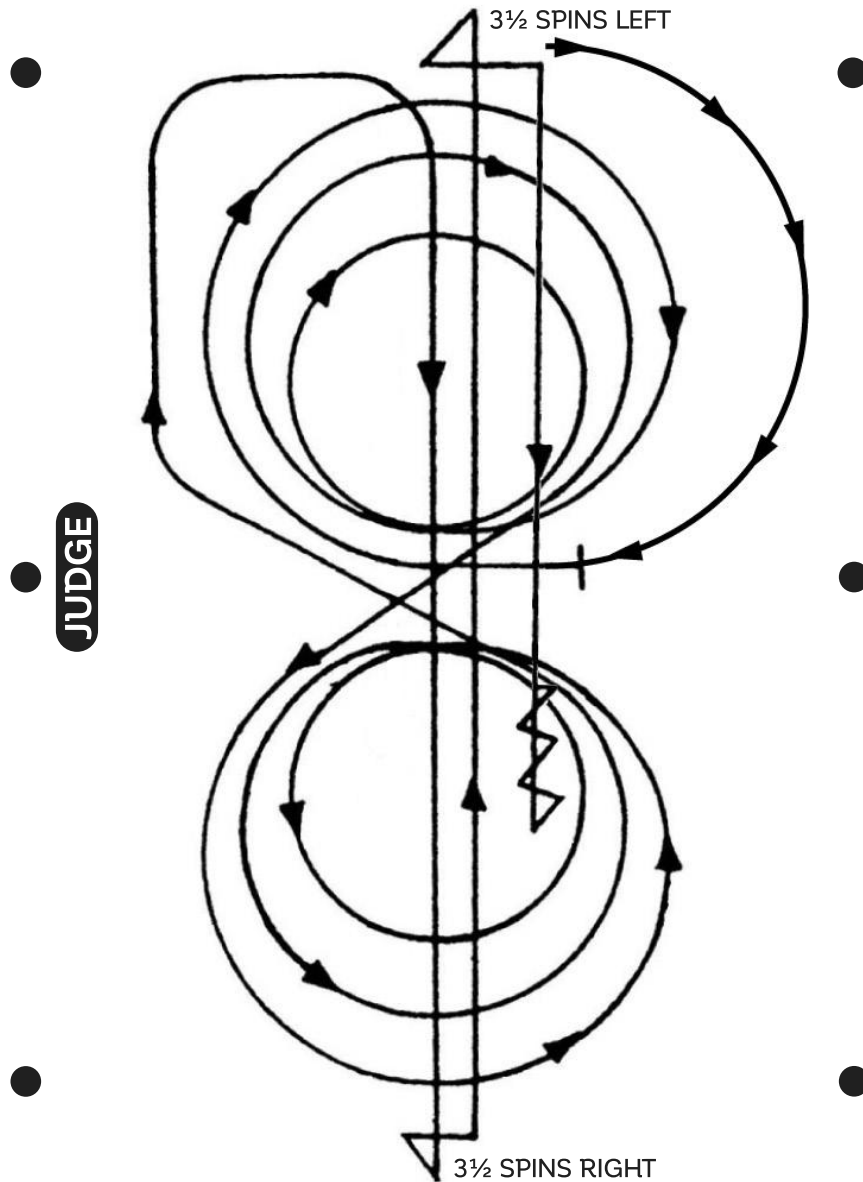


Pattern 5

Horses may walk or jog to the center of arena. Horses must walk or stop prior to starting pattern. Beginning at the center of the arena facing the left wall or fence.

1. Beginning on the left lead, complete three circles to the left: the first two circles large and fast; the third circle small and slow. Stop at the center of the arena. Hesitate.
2. Complete four spins to the left. Hesitate.
3. Beginning on the right lead, complete three circles to the right: the first two circles large and fast; the third circle small and slow. Stop at the center of the arena. Hesitate.
4. Complete four spins to the right. Hesitate.
5. Beginning on the left lead, run a large fast circle to the left, change leads at the center of the arena, run a large fast circle to the right, and change leads at the center of the arena. (Figure 8)
6. Continue around previous circle to the left but do not close this circle. Run up the right side of the arena past the center marker and do a right rollback at least twenty feet (six meters) from the wall or fence—no hesitation.
7. Continue around previous circle but do not close this circle. Run up the left side of the arena past the center marker and do a left rollback at least twenty feet (six meters) from the wall or fence—no hesitation.
8. Continue back around previous circle but do not close this circle. Run up the right side of the arena past the center marker and do a sliding stop at least twenty feet (six meters) from the wall or fence. Back up at least ten feet (three meters). Hesitate to demonstrate completion of the pattern.

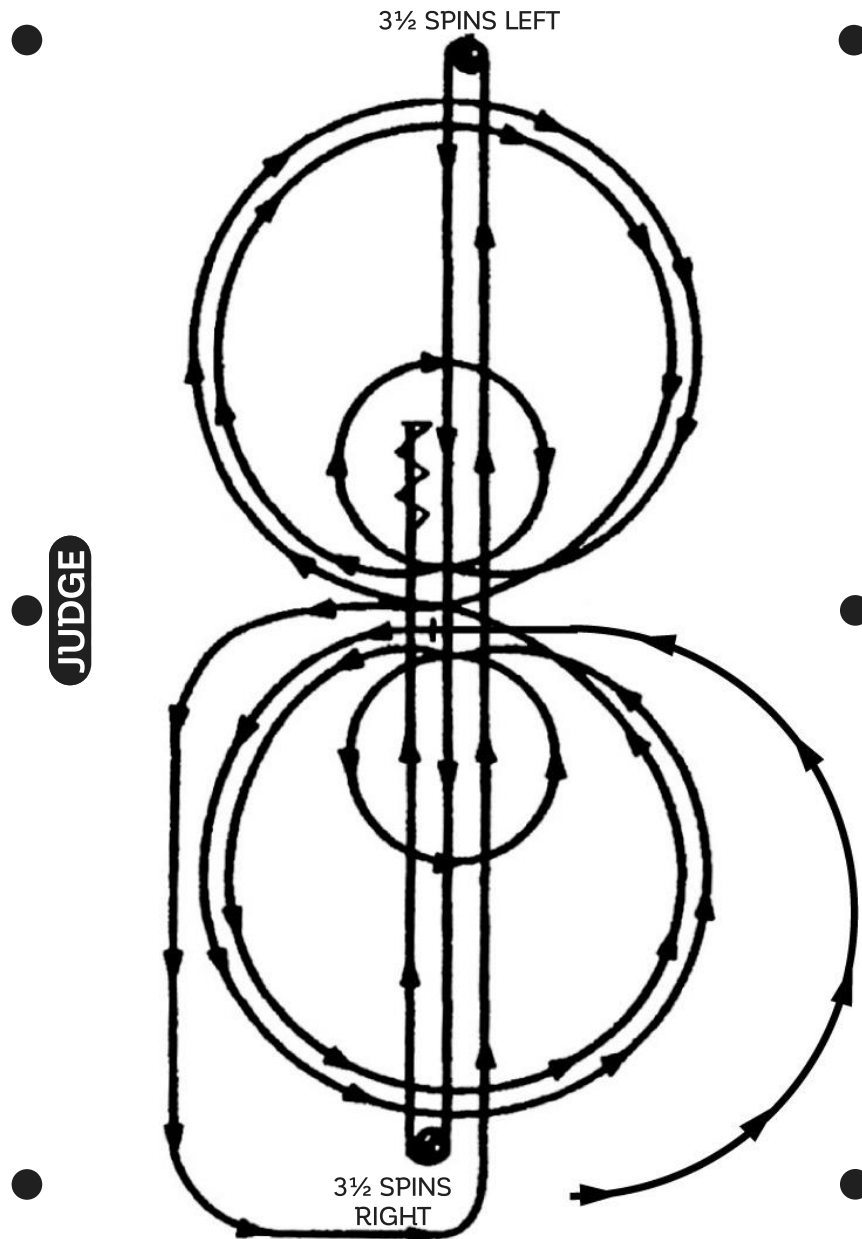
PATTERN 7-LOPE TOWARD



Begin on right lead. At the center, without stopping or breaking gait, begin pattern facing toward the judge. Refer to rule 20.6.

1. Beginning on right lead and complete three circles, the first large and fast, the second small and slow, the third large and fast. Change leads to the left.
2. Complete three circles, the first large and fast, the second small and slow, the third, large and fast. Change leads to the right.
3. Continue loping around end of arena without breaking gait or changing leads. Run down center of arena, past end marker and come to a sliding stop.
4. Complete 3½ spins to the right.
5. Run down center of arena past end marker come to sliding stop.
6. Complete 3½ spins to the left.
7. Run past center marker come to sliding stop. Back up at least 10 feet. Hesitate to complete pattern.

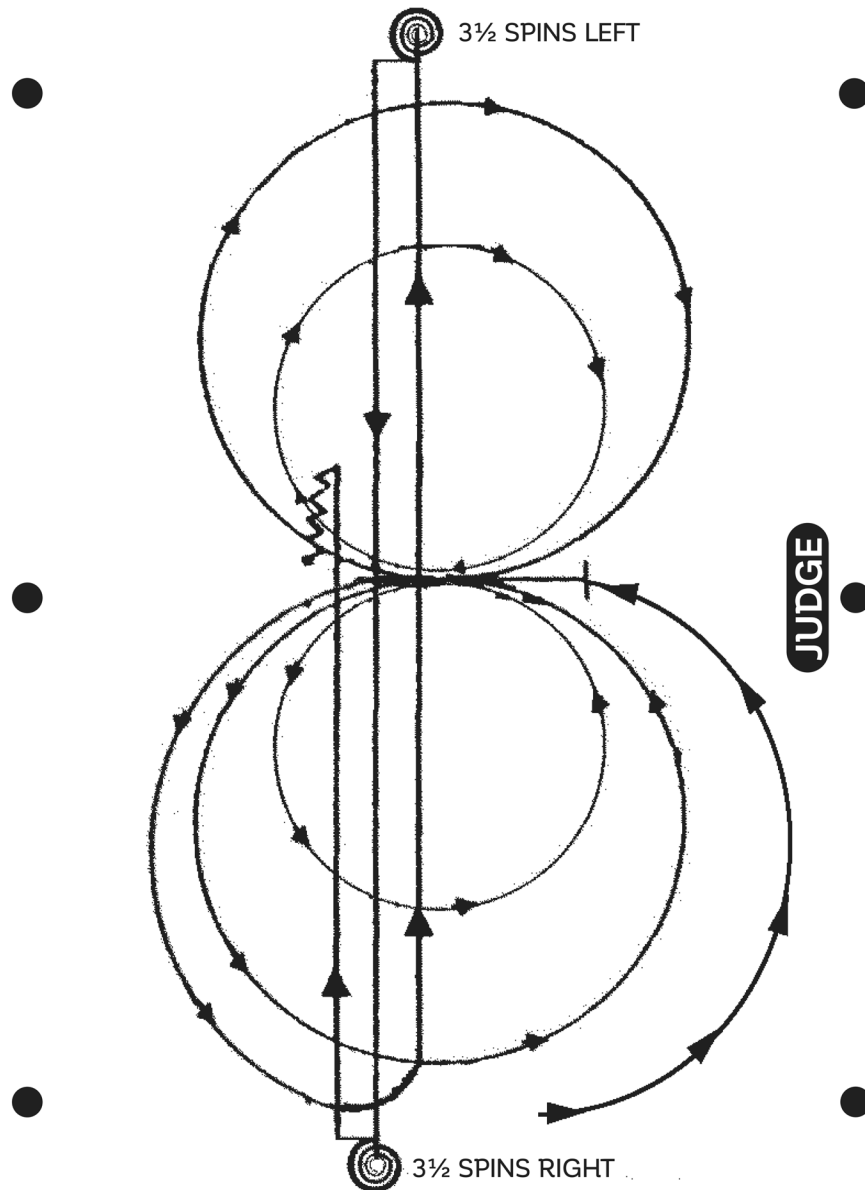
PATTERN 2- LOPE TOWARD



Begin on left lead. At the center, without stopping or breaking gait, begin pattern facing toward the judge. Refer to rule 20.6

1. Beginning on the left lead, complete 3 circles to the left. The first one large and fast, the second small and slow, the third large and fast. Change leads at the center of arena.
2. Complete 3 circles to the right. The first one large and fast, the second small and slow, and the third large and fast. Change leads at the center of arena.
3. Continue loping to run down. Run to far end past the marker to a sliding stop.
4. Complete 3½ spins to the left.
5. Run to far end past marker to a sliding stop.
6. Complete 3½ spins to the right.
7. Run past center marker to a sliding stop. Back at least 10 feet. Hesitate to complete pattern.

PATTERN 11-LOPE AWAY



Begin on left lead. At the center, without stopping or breaking gait, begin pattern facing away from the judge. Refer to rule 20.6.

1. Beginning on the left lead complete two circles to the left, the first circle large and fast, and the second circle small and slow. Change leads at the center of the arena.
2. Complete two circles to the right, the first large and fast, the second small and slow. Change leads at the center of the arena.
3. Continue around end of arena without breaking gait or changing leads, run down center of the arena past the end marker, execute a square sliding stop.
4. Complete 3½ spins to the left.
5. Run down center of arena past end marker, execute a square sliding stop.
6. Complete 3½ spins to the right.
7. Run down center of arena past center marker, execute a square sliding stop. Back at least 10 feet. Hesitate to complete pattern.